

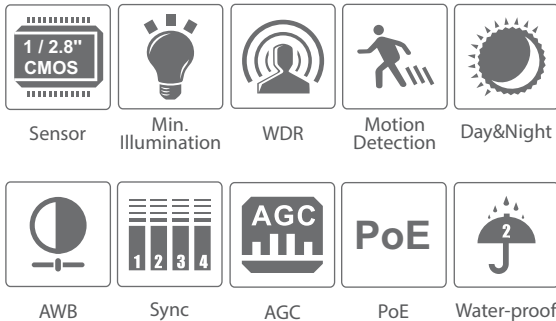
DOME

IP Surveillance Camera



Key Features

- 2MP (1920 x 1080) full real time coding
- Max. resolution: 1920 x 1080
- ICR auto switch, true day / night
- 10 ~ 20m IR night view distance
- 3D DNR, digital WDR
- ROI coding
- PoE power supply
- Support smart phone, iPad, remote monitoring
- Support P2P
- IP66 ingress protection
- Support three streams

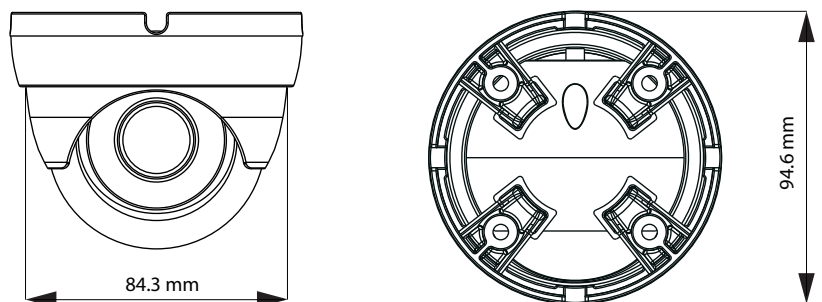


Specification

CAMERA	
Image Sensor	1 / 2.8 \"CMOS
Image Size	1920 x 1080
Electronic Shutter	1 / 25 s ~ 1 / 100000 s
Auto Iris	Fixed Iris
Min. illumination	0.1 lux @F1.2,AGC ON; 0 lux with IR
Lens	2.8 / 3.6 mm @ F1.6, angle of view: 105.4° / 89°
Lens Mount	M12
Day & Night	ICR
Wide Dynamic Range	Digital WDR
Digital NR	3D DNR
Angle Adjustment	Any angle
IMAGE	
Video Compression	H.264 / MJPEG
H.264 Compression Standard	Baseline Profile / Main Profile / High Profile
Resolution	1080P (1920 x 1080), 720P (1280 x 720), D1, CIF, (480 x 240)
Main Stream	60Hz: 1080P (1 ~ 30fps) / 720P (1 ~ 30fps) 50Hz: 1080P (1 ~ 25fps) / 720P (1 ~ 25fps)
Bit Rate	256Kbps ~ 5Mbps
Encode Mode	VBR / CBR
Quality	Five levels under VBR; Freely adjustable under CBR
Image Settings	ROI, Saturation, Brightness, Chroma, Contrast, Wide Dynamic, Sharpen, NR, etc. adjustable through client software or web browser
ROI	3 ROI
INTERFACES	
Network	RJ45
FUNCTIONS	
Remote Monitoring	IE browsing,CMS remote control
Online Connection	Support simultaneous monitoring for up to 3 users; Support multi-stream real time transmission
Network Protocol	TCP/IP, UDP, DHCP, NTP, RTSP, DDNS, SMTP, FTP
Interface Protocol	ONVIF
Storage	Network remote storage
Smart Alarm	Motion alarm
PoE	Yes
IR Distance	10 ~ 20 m
Water-proof	IP66
OTHERS	
Power Supply	DC 12V / PoE
Power Consumption	< 2W
IR Consumption ON	< 4W
Operating environment	-30°C ~ 50 °C, 10% ~ 90% humidity
Dimensions (mm)	Φ84.3 × 94.6
Weight (net)	397g.

Design and specifications are subject to change without notice.

Dimensions



Download center

scan the QR code to download or visit the webpage www.asytech.ro



Datasheet



User manual



Declaration